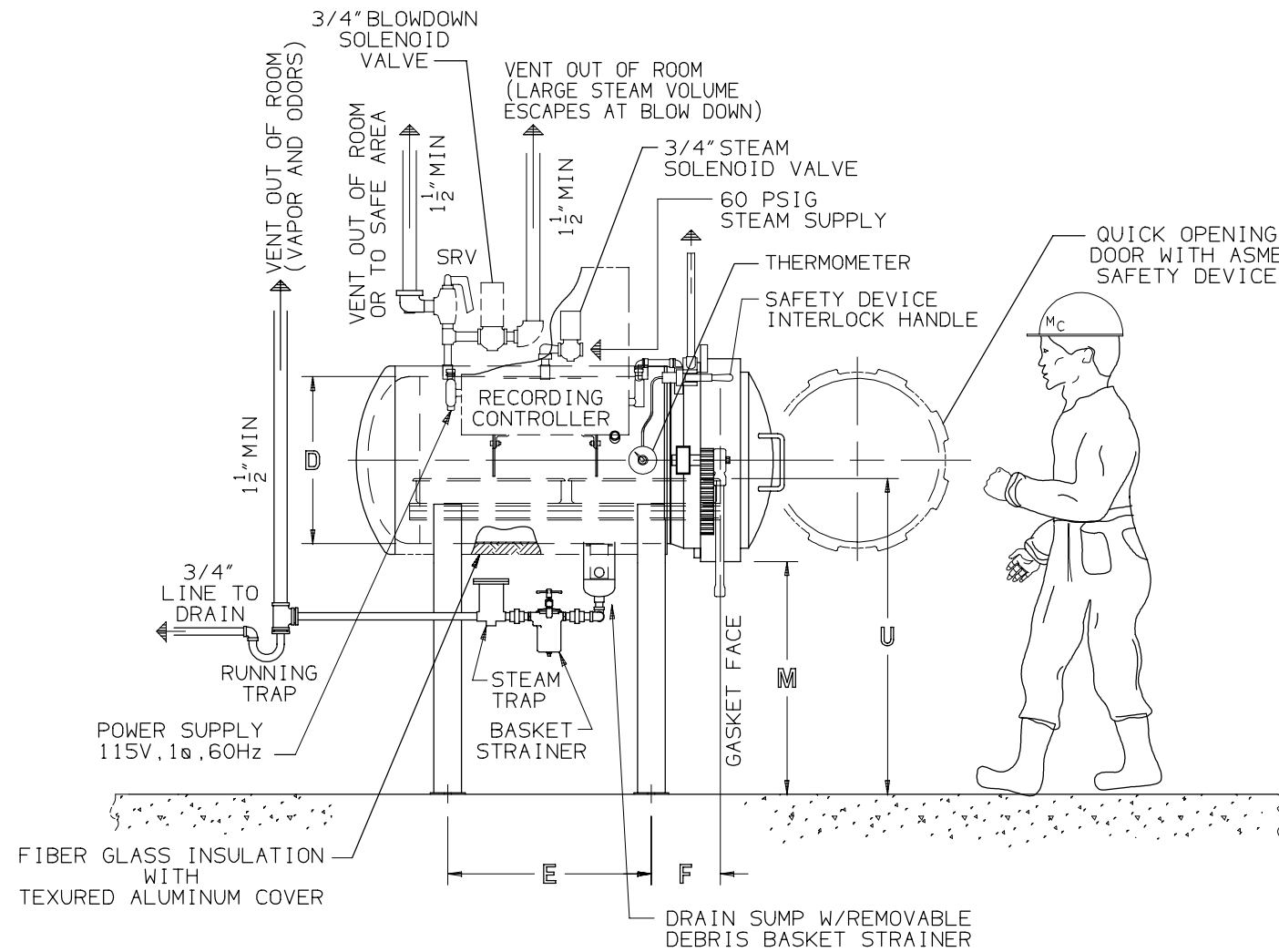
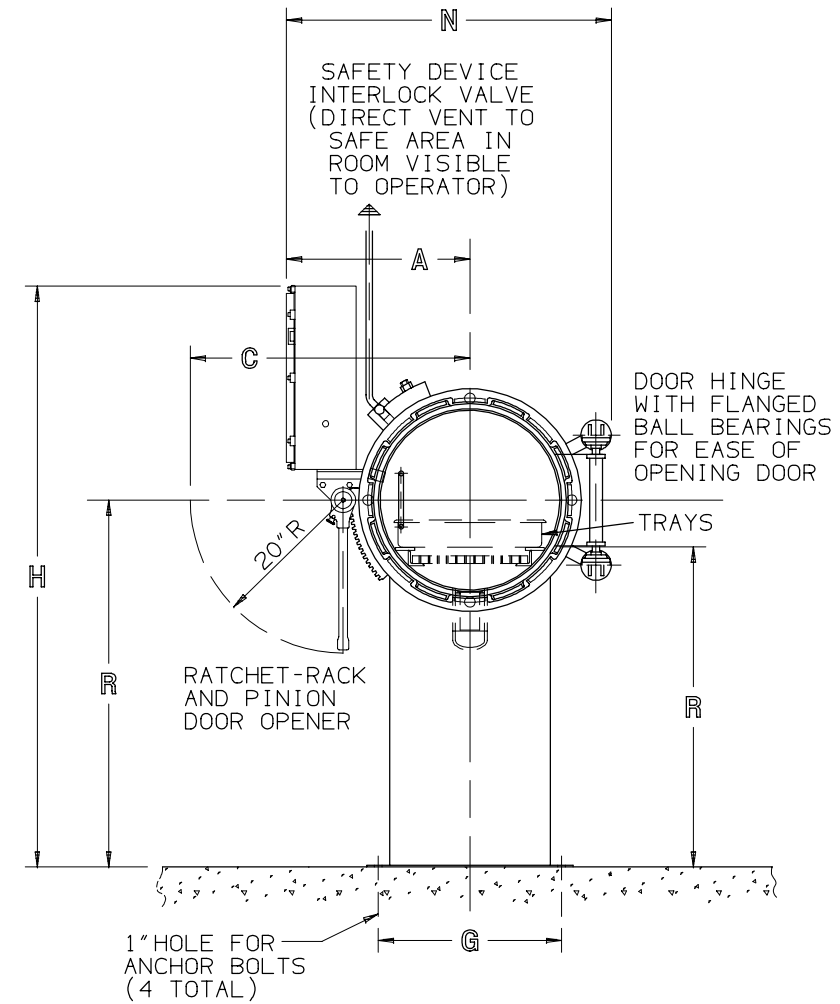


**PLAN**

DIM. (IN)	MODEL NUMBER			
	AS-23	-	-	-
A	24	-	-	-
B	21	-	-	-
C	36 1/2	-	-	-
D	24	-	-	-
E	29 1/4	-	-	-
F	9 7/8	-	-	-
G	24	-	-	-
H	76	-	-	-
L	60	-	-	-
M	33 1/2	-	-	-
N	42 1/2	-	-	-
R	41 7/8	-	-	-
T	48	-	-	-
U	45 3/8	-	-	-
DO	27	-	-	-
OL	-	-	-	-
OAL	85 1/2	-	-	-



**ELEVATION**



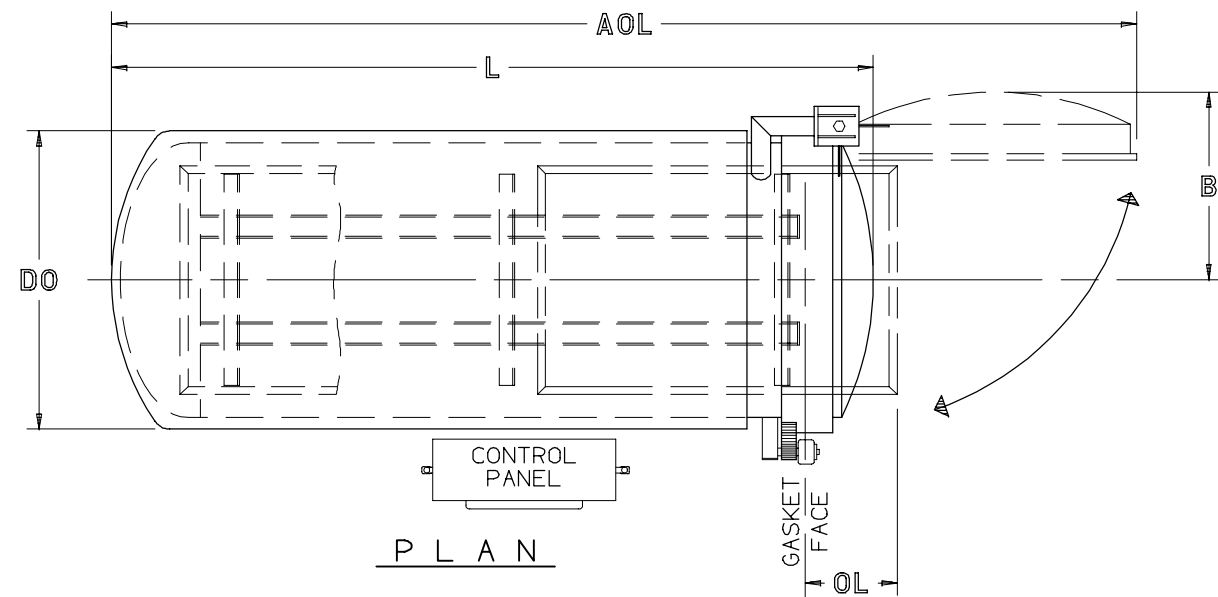
**GENERAL NOTES:**

- ALL DIMENSIONS ARE APPROXIMATE.
- RIGHT HAND HINGE IS SHOWN. LEFT HAND HINGE AVAILABLE.
- DESIGN & CONSTRUCTION PER ASME SECTION VIII, DIV 1 FOR 75 PSIG MAXIMUM ALLOWABLE WORKING PRESSURE AT 320°F.
- ALL VENT LINES TO BE SEPARATELY PIPED. DO NOT JOIN VENT PIPING.
- TRAP, STRAINER, & VALVES SHOWN ARE INCLUDED WITH UNIT. DRAIN, VENT, & STEAM LINES BY CUSTOMER.
- PROVIDE 60 PSIG REGULATED STEAM SUPPLY, WITH LINE STRAINER & 3/4" REDUCER IMMEDIATELY UPSTREAM OF STEAM SOLENOID VALVE. SUPPLY LINE SHALL BE WELL TRAPPED: MINIMUM RECOMMENDED LINE SIZE IS 1 1/4". PROVIDE ADDITIONAL EXTERNAL SRV (75 PSIG SET PRESSURE) IF AVAILABLE STEAM FLOW EXCEEDS 900 LB/HR.
- INSTALLATION & SIZING OF SAFETY RELIEF VALVE (SRV) DISCHARGE VENT PIPING SHALL BE IN ACCORDANCE WITH ASME SECTION VIII DIV 1 & ANSI/ASME B31.1 APPENDIX II. AN OPEN DISCHARGE SYSTEM WITH DRIP-PAN ELBOW (AS SHOWN IS RECOMMENDED TO REDUCE BACK PRESSURE ON SRV. DISCHARGE BACK PRESSURE SHALL NOT EXCEED 7 PSIG.

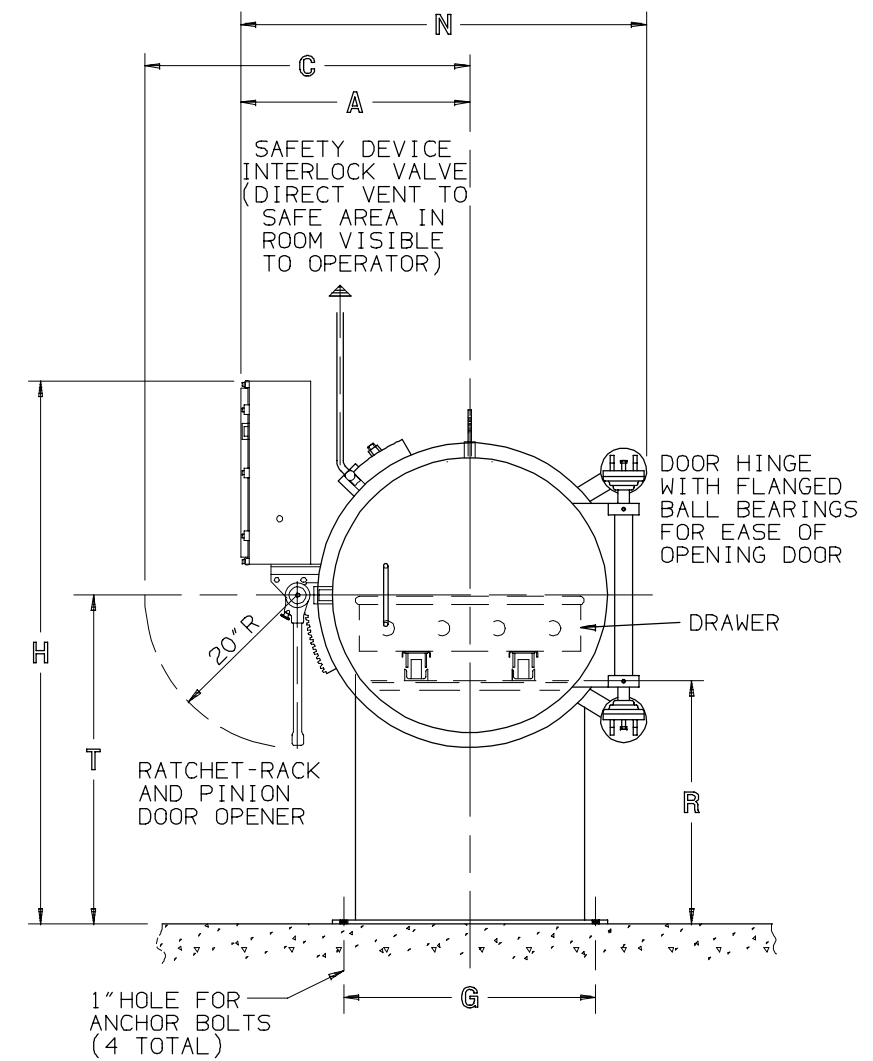
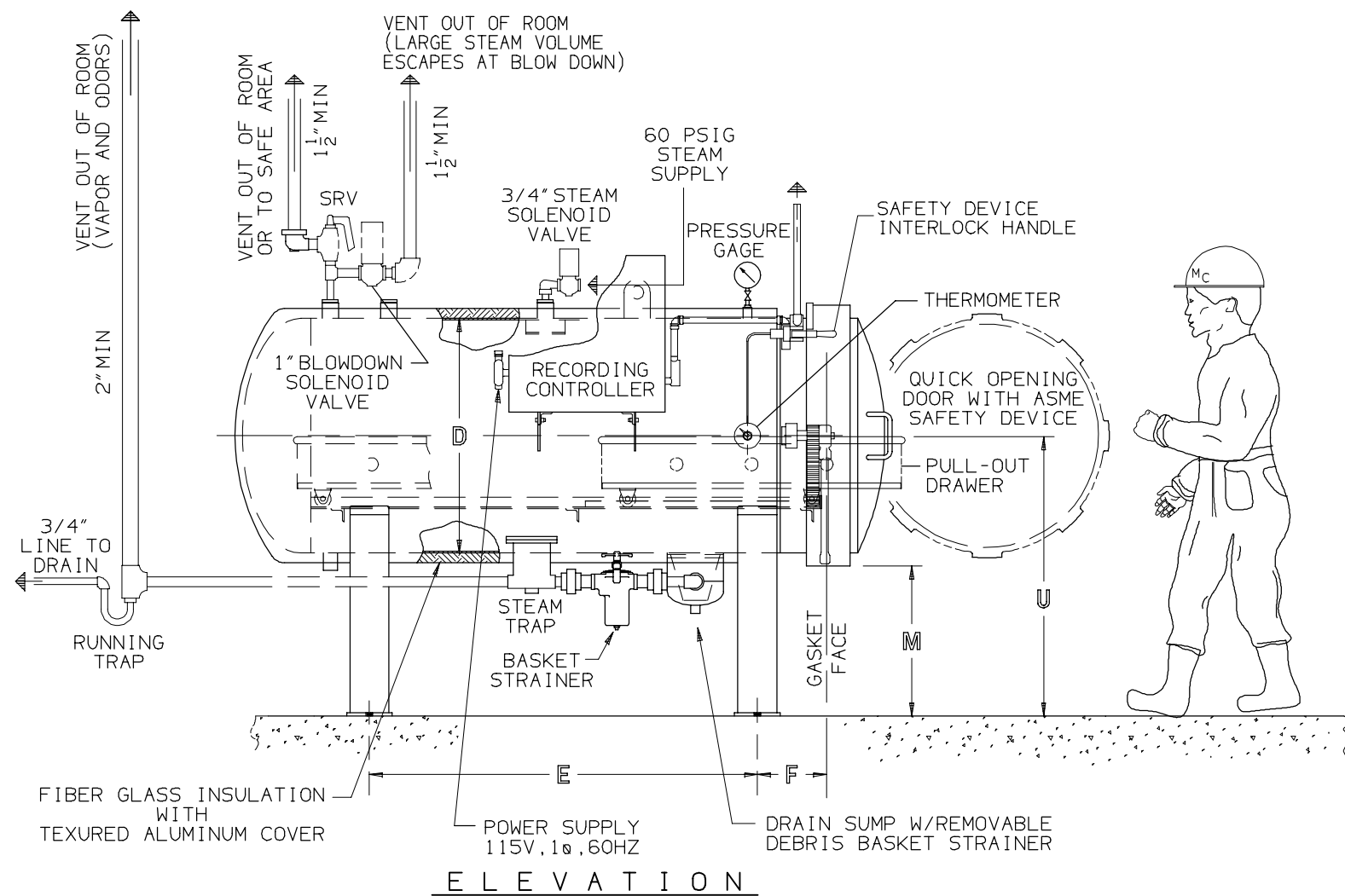
**THE MARK COSTELLO CO.**  
 1145 DOMINGUEZ STREET, CARSON, CA. 90746 · (310) 637-1851

**Mc** AUTOMATIC INFECTIOUS WASTE STEAM STERILIZER  
 STANDARD AS23 WITH REMOVABLE TRAYS

DRWN BY: OS1 lva	DRAWING NO. D-1006	REVISION 0
DATE: 10/27/05		
SCALE: NONE		SHT 1 OF 1



DIM (IN)	MODEL NUMBER			
	AS-36	-	-	-
A	30	-	-	-
B	24 1/2	-	-	-
C	42 1/2	-	-	-
D	36	-	-	-
E	59 1/2	-	-	-
F	10 5/8	-	-	-
G	33	-	-	-
H	71	-	-	-
L	99 1/2	-	-	-
M	23	-	-	-
N	53	-	-	-
R	32	-	-	-
T	43	-	-	-
U	42 3/4	-	-	-
DO	39	-	-	-
OL	12	-	-	-
OAL	134	-	-	-



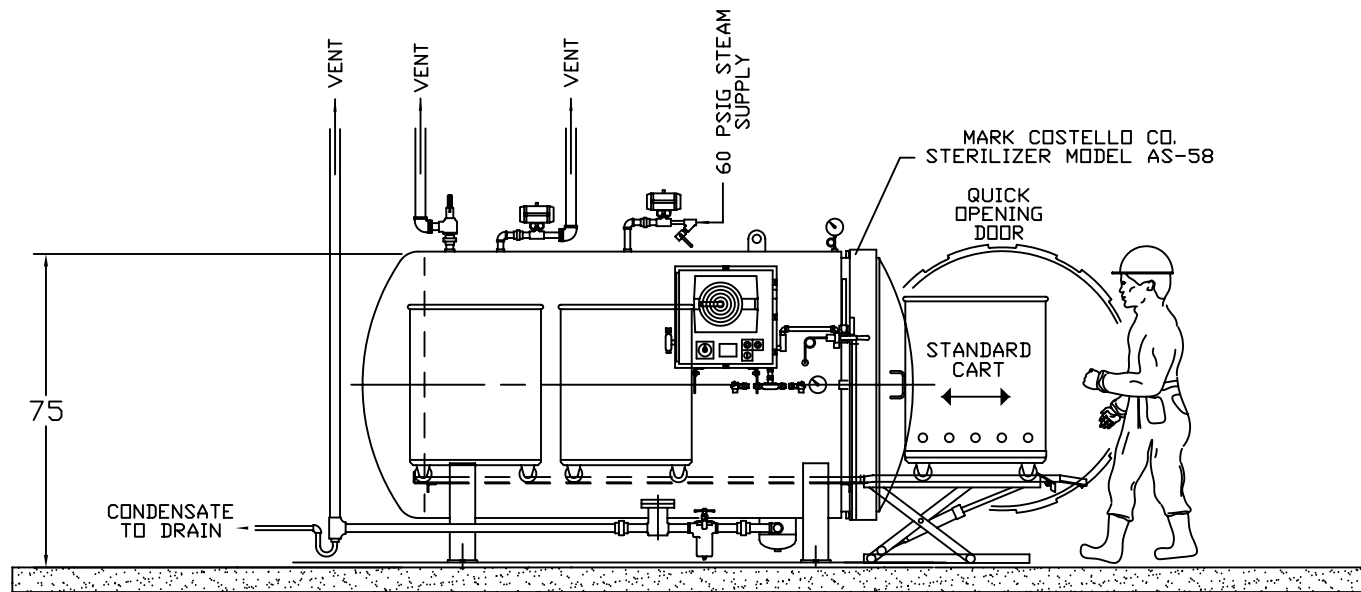
**GENERAL NOTES:**

- ALL DIMENSIONS ARE APPROXIMATE.
- RIGHT HAND HINGE IS SHOWN. LEFT HAND HINGE AVAILABLE.
- DESIGN & CONSTRUCTION PER ASME SECTION VIII, DIV 1 FOR 75 PSIG MAXIMUM ALLOWABLE WORKING PRESSURE AT 320°F.
- ALL VENT LINES TO BE SEPARATELY PIPED. DO NOT JOIN VENT PIPING.
- TRAP, STRAINER, & VALVES SHOWN ARE INCLUDED WITH UNIT. DRAIN, VENT, & STEAM LINES BY CUSTOMER.
- PROVIDE 60 PSIG REGULATED STEAM SUPPLY, WITH LINE STRAINER & 3/4" REDUCER IMMEDIATELY UPSTREAM OF STEAM SOLENOID VALVE. SUPPLY LINE SHALL BE WELL TRAPPED: MINIMUM RECOMMENDED LINE SIZE IS 1 1/4". PROVIDE ADDITIONAL EXTERNAL SRV (75 PSIG SET PRESSURE) IF AVAILABLE STEAM FLOW EXCEEDS 900 LB/HR.
- INSTALLATION & SIZING OF SAFETY RELIEF VALVE (SRV) DISCHARGE VENT PIPING SHALL BE IN ACCORDANCE WITH ASME SECTION VIII DIV 1 & ANSI/ASME B31.1 APPENDIX II. AN OPEN DISCHARGE SYSTEM WITH DRIP-PAN ELBOW (AS SHOWN IS RECOMMENDED TO REDUCE BACK PRESSURE ON SRV. DISCHARGE BACK PRESSURE SHALL NOT EXCEED 7 PSIG.

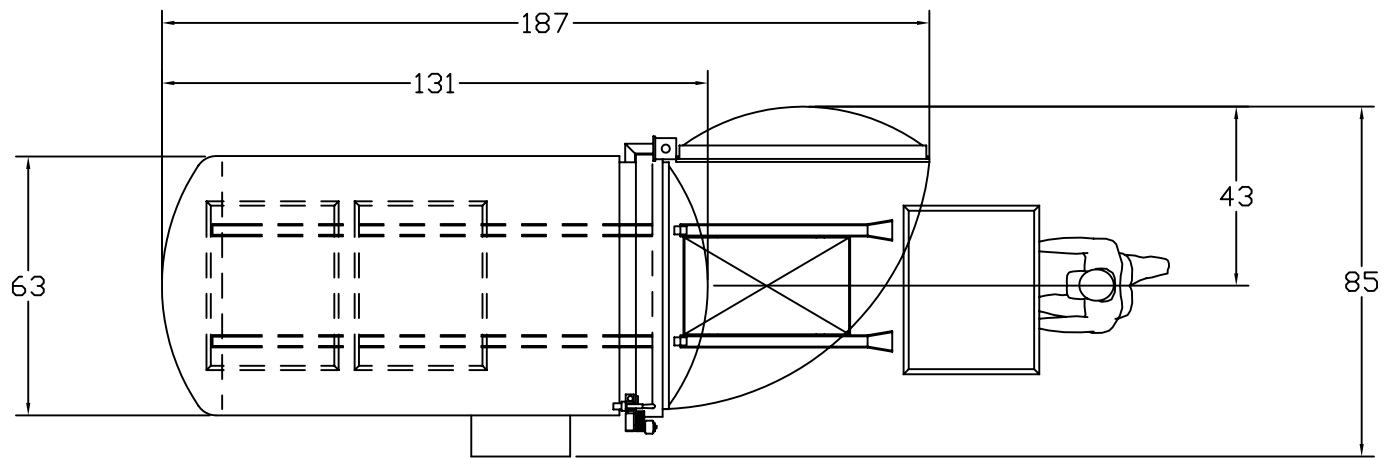
**THE MARK COSTELLO CO.**  
 1145 DOMINGUEZ STREET, CARSON, CA. 90746 · (310) 637-1851

**Mc** AUTOMATIC INFECTIOUS WASTE STEAM STERILIZER  
 STANDARD AS36 WITH PULL-OUT DRAWER

DRWN BY: OS11va DATE: 10/27/05 SCALE: NONE DRAWING NO. D-1005 REVISION 0 SHT 1 OF 1



STERILIZER ELEVATION VIEW

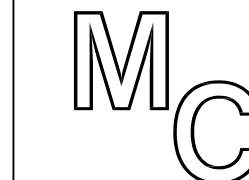


STERILIZER PLAN VIEW

GENERAL NOTES:

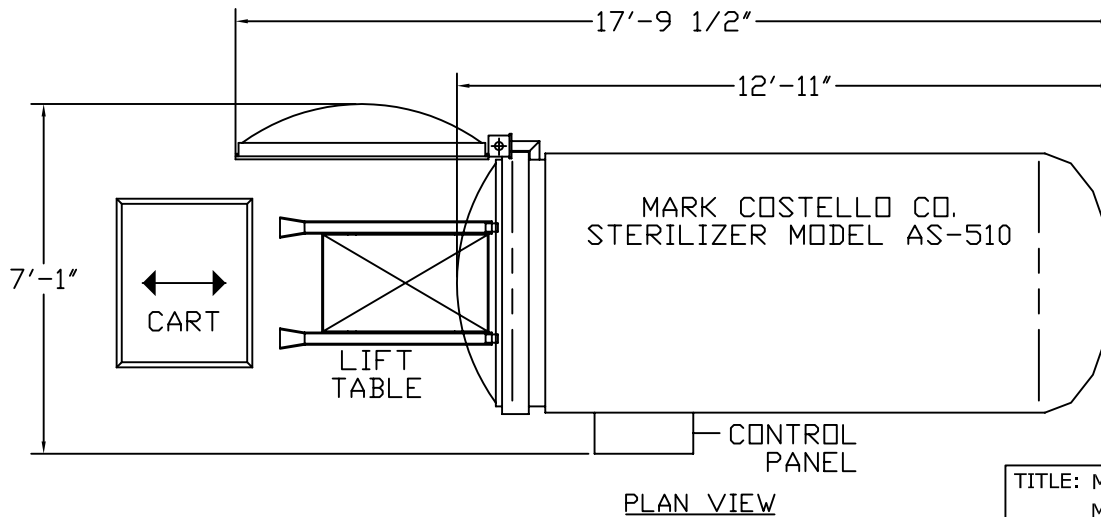
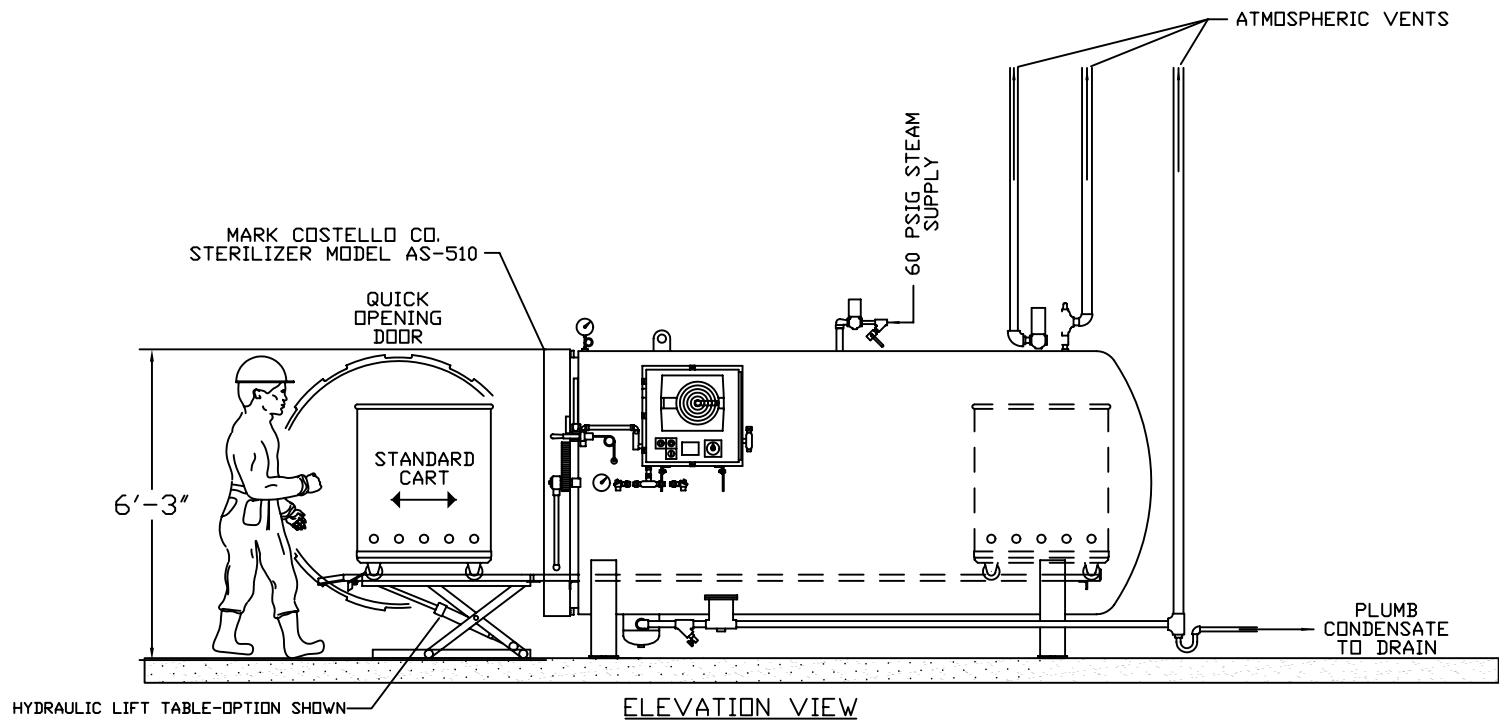
1. ALL DIMENSIONS ARE APPROXIMATE.
2. LEFT HAND HINGE IS SHOWN. RIGHT HAND HINGE AVAILALBE.
3. DESIGN & CONSTRUCTION PER ASME SECTION VIII, DIV.1 FOR 75 PSIG MAXIMUM ALLOWABLE WORKING PRESSURE AT 320°F.
4. ALL VENT LINES TO BE SEPARATELY PIPED.  
DO NOT JOIN VENT PIPING
5. TRAP, STRAINER & VALVES SHOWN ARE INCLUDED WITH UNIT.  
DRAIN, VENT & SUPPLY LINES BY CUSTOMER
6. PROVIDE 60 PSIG REGULATED STEAM SUPPLY WITH 3/4" REDUCER IMMEDIATELY UPSTREAM OF STEAM SOLENOID VALVE. SUPPLY LINE SHALL BE WELL TRAPPED & SIZED FOR THE LESSER OF 1000 LBS/HR OR MAXIMUM BOILER CAPACITY WITH MAXIMUM 10 PSI PRESSURE DROP. MINIMUM RECOMMENDED LINE SIZE IS 1 1/4".
7. INSTALLATION & SIZING OF SAFETY RELIEF VALVE (SRV) DISCHARGE VENT PIPING SHALL BE IN ACCORDANCE WITH ASME SECTION VIII DIV 1 & ANSI/ASME B31.1 APPENDIX II. OPEN DISCHARGE SYSTEM IS RECOMMENDED TO REDUCE BACK PRESSURE ON SRV.

TITLE: MC -WASTE/STEAM STERILIZER  
MODEL AS-58



MARK-COSTELLO CO.

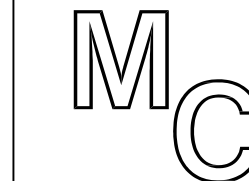
DR. MK	CAD.
CK.	APP.
DATE: 11-18-04	
SCALE: AS SHOWN	
TOL: + - 1/16	
DRAWING NO. 1104-009	
WWW.MARK-COSTELLO.COM	



**GENERAL NOTES:**

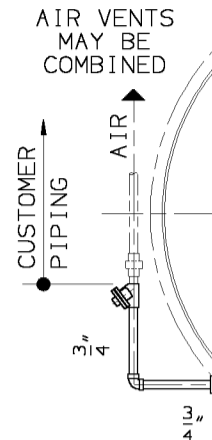
- ALL DIMENSIONS ARE APPROXIMATE.
- LEFT HAND HINGE IS SHOWN. RIGHT HAND HINGE AVAILALBE.
- DESIGN & CONSTRUCTION PER ASME SECTION VIII, DIV.1 FOR 75 PSIG MAXIMUM ALLOWABLE WORKING PRESSURE AT 320°F.
- ALL VENT LINES TO BE SEPARATELY PIPED.  
**DO NOT JOIN VENT PIPING**
- TRAP, STRAINER & VALVES SHOWN ARE INCLUDED WITH UNIT.  
DRAIN, VENT & SUPPLY LINES BY CUSTOMER
- PROVIDE 60 PSIG REGULATED STEAM SUPPLY WITH 3/4" REDUCER IMMEDIATELY UPSTREAM OF STEAM SOLENOID VALVE. SUPPLY LINE SHALL BE WELL TRAPPED & SIZED FOR THE LESSER OF 1000 LBS/HR OR MAXIMUM BOILER CAPACITY WITH MAXIMUM 10 PSI PRESSURE DROP. MINIMUM RECOMMENDED LINE SIZE IS 1 1/4".
- INSTALLATION & SIZING OF SAFETY RELIEF VALVE (SRV) DISCHARGE VENT PIPING SHALL BE IN ACCORDANCE WITH ASME SECTION VIII DIV 1 & ANSI/ASME B31.1 APPENDIX II. OPEN DISCHARGE SYSTEM IS RECOMMENDED TO REDUCE BACK PRESSURE DN SRV.

TITLE: MC MEDICAL WASTE STEAM STERILIZER  
MODEL AS-510

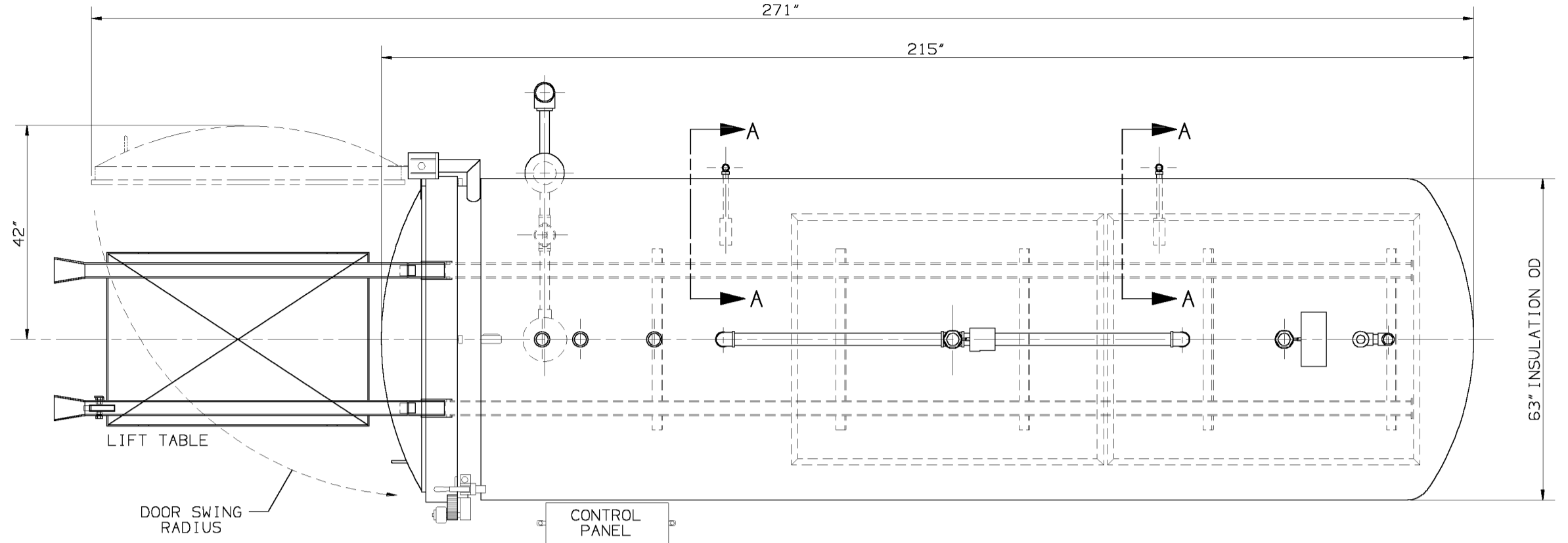
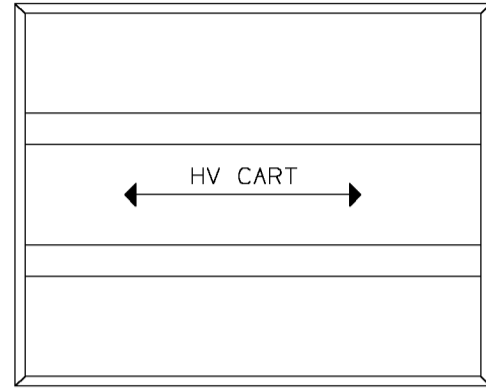


MARK-COSTELLO CO.

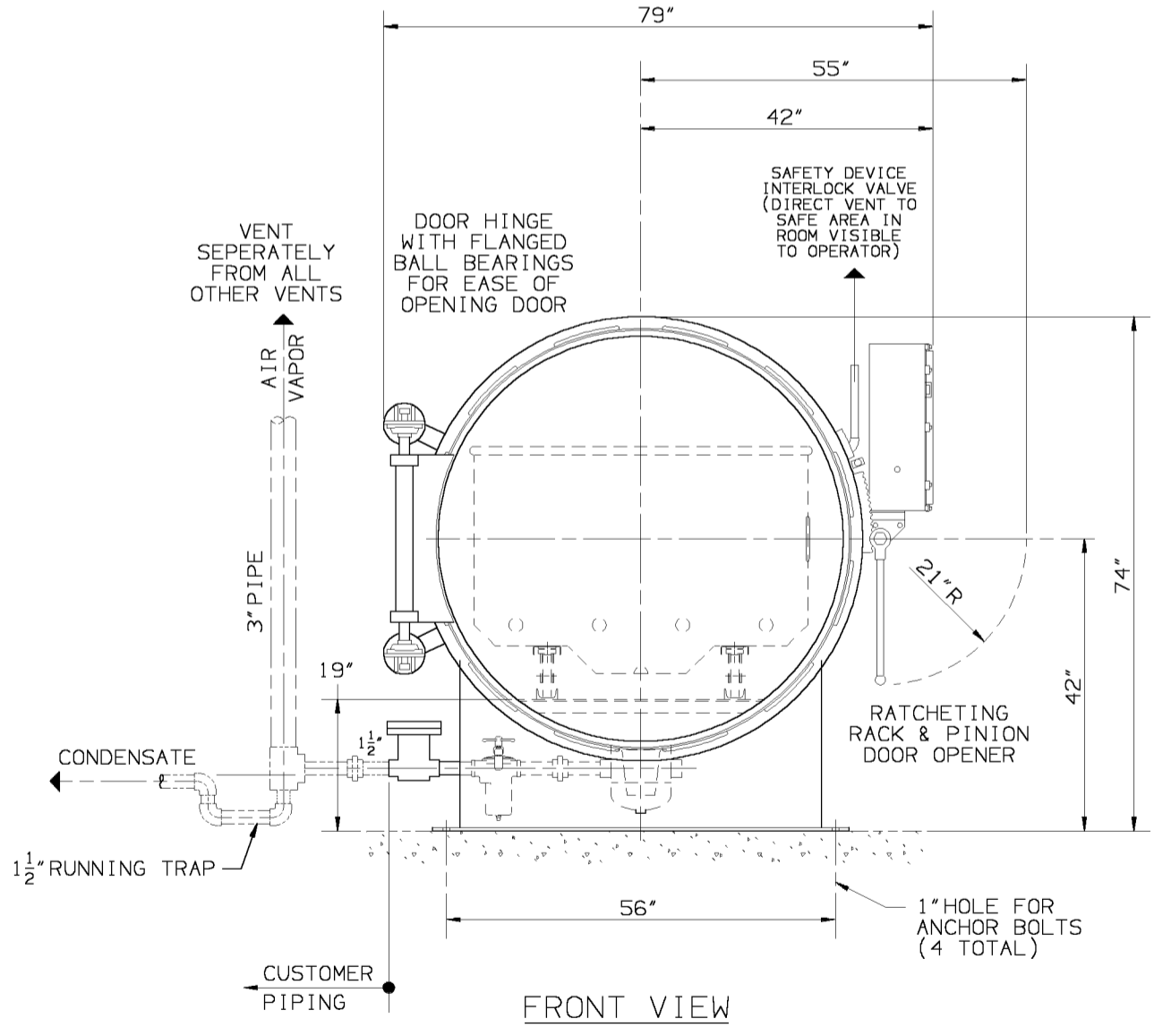
DR. MK	CAD.
CK.	APP.
DATE: 11-18-04	
SCALE: AS SHOWN	
TOL: + - 1/16	
DRAWING NO. 1104-008	
WWW.MARK-COSTELLO.COM	



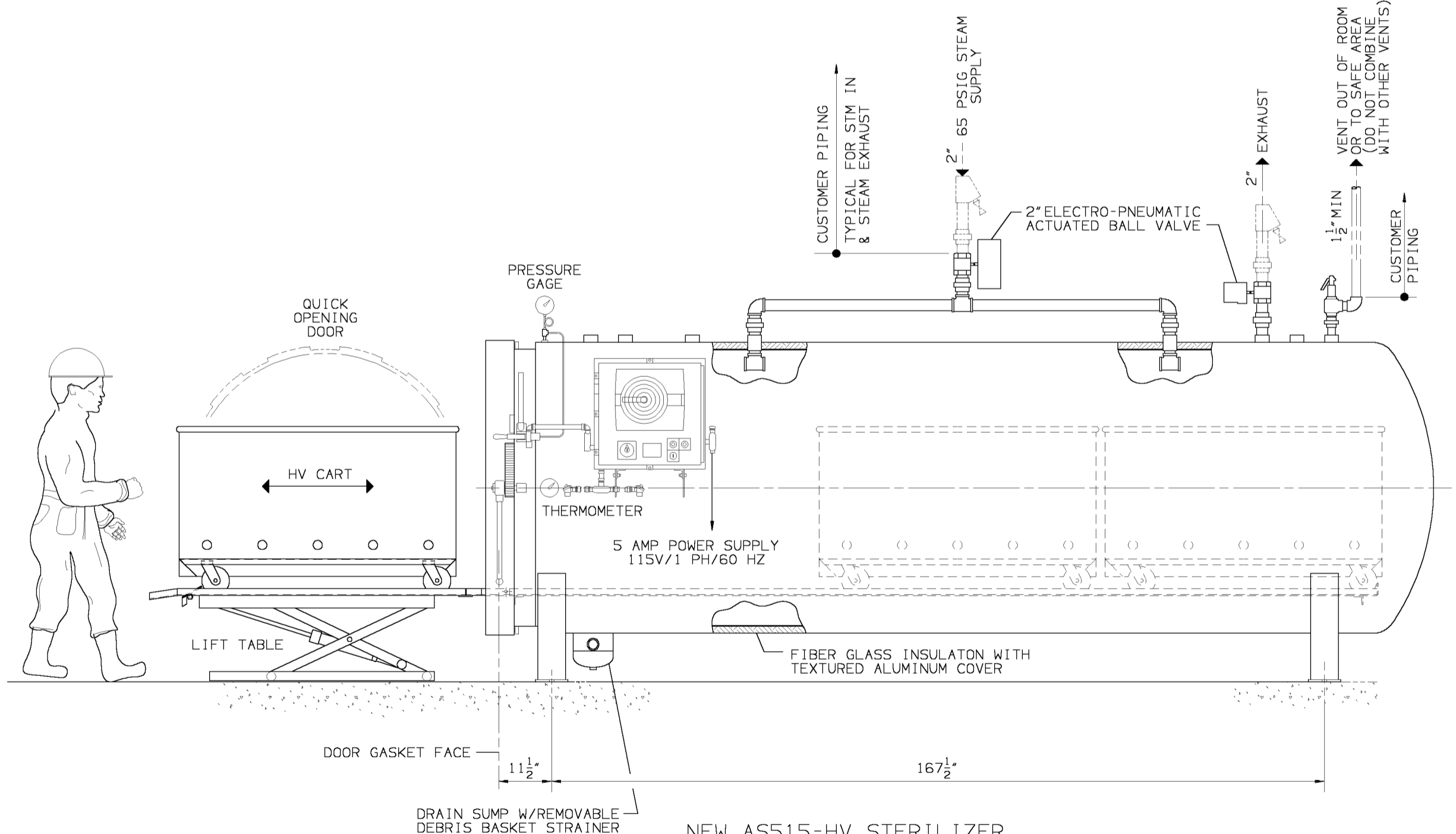
SECTION A-A  
TYP TWO (2) PLCS



PLAN



FRONT VIEW



NEW AS515-HV STERILIZER

CART LOADED STERILIZER  
USING LIFT TABLE

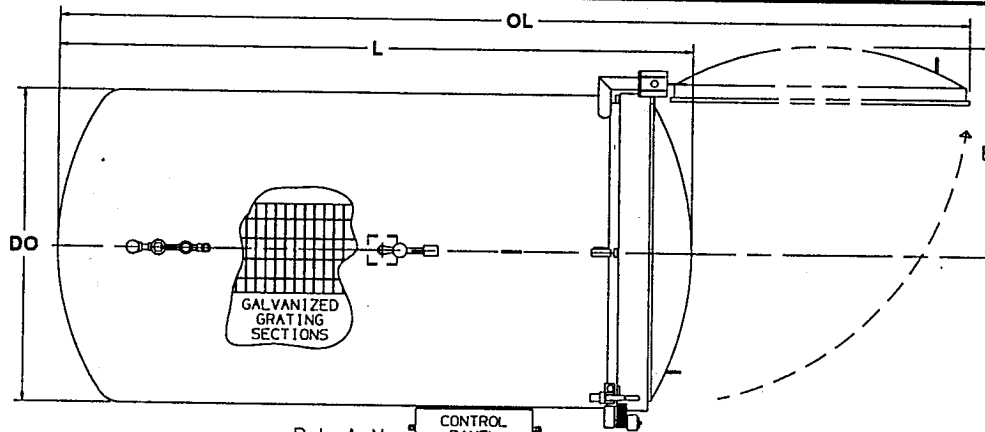
GENERAL NOTES:

- ALL DIMENSIONS ARE APPROXIMATE.
- LEFT HAND HINGE IS SHOWN. RIGHT HAND HINGE AVAILABLE.
- DESIGN & CONSTRUCTION PER ASME SECTION VIII, DIV 1 FOR 75 PSIG MAXIMUM ALLOWABLE WORKING PRESSURE AT 320°F.
- ALL VENT LINES TO BE SEPARATELY PIPED. DO NOT JOIN VENT PIPING.
- TRAPS, STRAINERS, & VALVES SHOWN ARE INCLUDED WITH UNIT. DRAIN, VENT, & SUPPLY LINES BY CUSTOMER.
- PROVIDE 65 PSIG REGULATED STEAM SUPPLY. SUPPLY LINE SHALL BE WELL TRAPPED & SIZED FOR THE LESSER OF 1000 LBS/HR OR MAXIMUM BOILER CAPACITY WITH MAXIMUM 10 PSI PRESSURE DROP. MINIMUM RECOMMENDED LINE SIZE IS 2".
- INSTALLATION & SIZING OF SAFETY RELIEF VALVE (SRV) DISCHARGE VENT PIPING SHALL BE IN ACCORDANCE WITH ASME SECTION VIII DIV 1 & ANSI/ASME B31.1 APPENDIX II. OPEN DISCHARGE SYSTEM IS RECOMMENDED TO REDUCE BACK PRESSURE ON SRV.

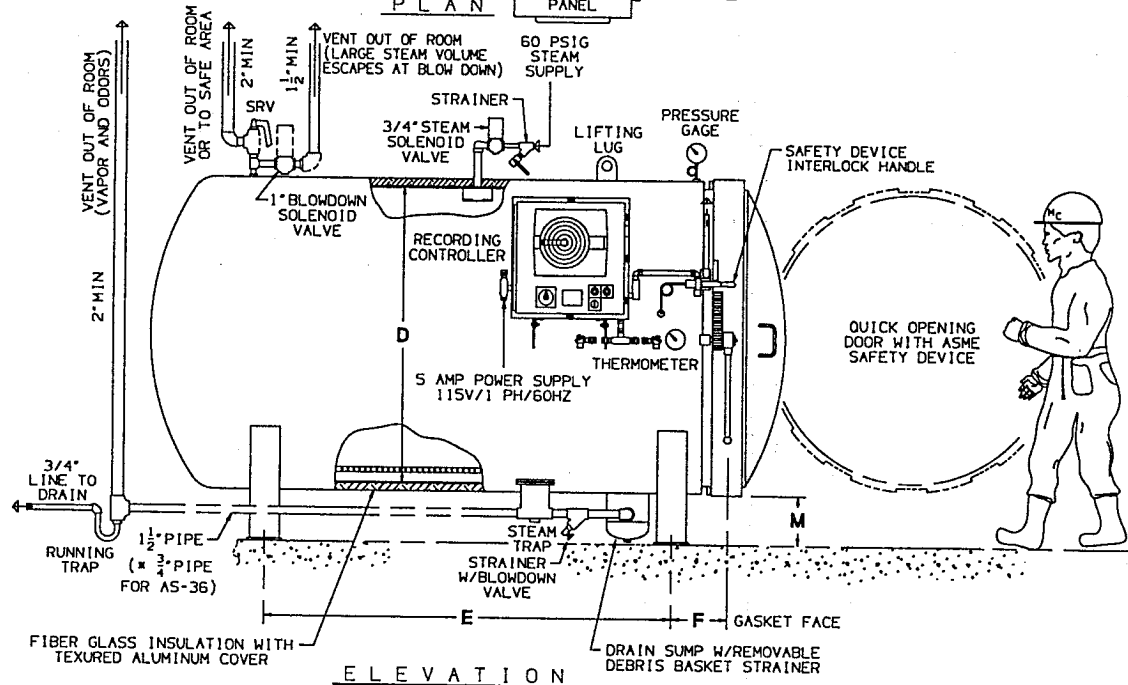
**THE MARK-COSTELLO CO.**  
1145 DOMINGUEZ STREET, CARSON, CA. 90746 · (310) 637-1851

 GARDEN GROVE, CALIFORNIA	CUSTOMER	STANDARD INSTALLATION
	PROJECT	AS515-HV STERILIZER ASSEMBLY & SECTIONS
DRWN BY: OS	DRAWING NO.	D-040016
DATE: 03/26/04	SCALE: AS NOTED	SHT 1

REV	DATE	DESCRIPTION	BY	CHK	APR
0	03/26/04	ISSUED FOR CONSTRUCTION	OS	JN	JG



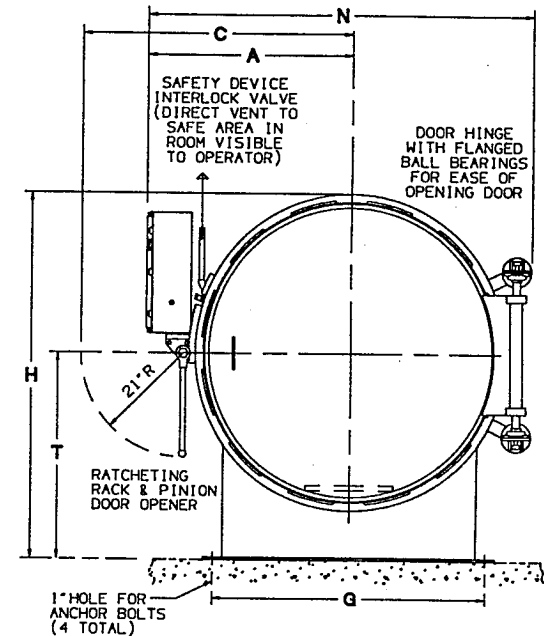
PLAN



ELEVATION

DIM. (IN)	MODEL NUMBER							
	AS-36	AS-46	AS-48	AS-58	AS-510	AS-512	AS-513	AS-515
A	30	36	36	42	42	42	42	42
B	28	36	36	43	43	43	43	43
C	43	49	49	55	55	55	55	55
D	36	48	48	60	60	60	60	60
E	59 1/2	59 1/2	83 1/2	83 1/2	107 1/2	131 1/2	143 1/2	167 1/2
F	10 5/8	10 5/8	10 5/8	11 1/2	11 1/2	11 1/2	11 1/2	11 1/2
G	33	45	45	56	56	56	56	56
H	62	62	62	75	75	75	75	75
L	98	102	126	131	155	179	191	215
M	22	10	10	11	11	11	11	11
N	58	66	66	78	78	78	78	78
T	42	36	36	43	43	43	43	43
DO	39	51	51	63	63	63	63	63
OL	130	148	172	187	211	235	247	271

\* USE 3/4" Y-STRAINER & STEAM TRAP ALONG WITH 3/4" DRAIN LINE FOR MODEL AS-36



GENERAL NOTES:

1. ALL DIMENSIONS ARE APPROXIMATE.
2. RIGHT HAND HINGE IS SHOWN. LEFT HAND HINGE AVAILABLE.
3. DESIGN & CONSTRUCTION PER ASME SECTION VIII, DIV 1 FOR 75 PSIG MAXIMUM ALLOWABLE WORKING PRESSURE AT 320°F.
4. ALL VENT LINES TO BE SEPARATELY PIPED. DO NOT JOIN VENT PIPING.
5. TRAP, STRAINER, & VALVES SHOWN ARE INCLUDED WITH UNIT. DRAIN, VENT, & SUPPLY LINES BY CUSTOMER.
6. PROVIDE 60 PSIG REGULATED STEAM SUPPLY WITH 3/4" REDUCER IMMEDIATELY UPSTREAM OF STEAM SOLENOID VALVE. SUPPLY LINE SHALL BE WELL TRAPPED & SIZED FOR THE LESSER OF 1000 LBS/HR OR MAXIMUM BOILER CAPACITY WITH MAXIMUM 10 PSI PRESSURE DROP. MINIMUM RECOMMENDED LINE SIZE IS 1 1/4".
7. INSTALLATION & SIZING OF SAFETY RELIEF VALVE (SRV) DISCHARGE VENT PIPING SHALL BE IN ACCORDANCE WITH ASME SECTION VIII DIV 1 & ANSI/ASME B31.1 APPENDIX II. OPEN DISCHARGE SYSTEM IS RECOMMENDED TO REDUCE BACK PRESSURE ON SRV.

**THE MARK-COSTELLO CO.**  
 1145 DOMINIQUE STREET, CARSON, CA. 90746 • (310) 637-1851

**Mc** AUTOMATIC INFECTIOUS WASTE STEAM STERILIZER  
 STANDARD UNIT

DRW BY: JMC/166 DATE: 7/29/95 SCALE: 1/2"=1'-0" DRAWING NO. D-1001 REVISION 3